

Series PDV directly operated solenoid valves with separating diaphragm

2/2-way Normally Closed (NC)



- » Suitable to be used with neutral or aggressive fluids
- » Suitable for specific applications on medical and analytical equipment or instruments
- » Compact design
- » Versions available for vacuum applications

To choose the most suitable model for a specific application, check the chemical compatibility of the medium to control with the available materials of body and seals.

Series PDV directly operated solenoid valve is available with several nominal diameters and in three different versions according to the electrical connection. The separating diaphragm protects the medium from extreme changes of temperature due to heating of the solenoid.

GENERAL DATA

TECHNICAL FEATURES

Function	2/2 NC
Operation	directly operated with separating diaphragm on subbase by means of M3 screws
Pneumatic connections	
Nominal diameter	0.8 ... 2 mm
Flow	see Kv
Kv (l/min)	0.3 ... 0.9
Operating pressure	-0.9 ÷ 0 ... 10 bar
Operating temperature	0 ÷ +50°C
Media	gas and liquids: air, water, reagents, solvents, etc...
Installation	in any position

MATERIALS IN CONTACT WITH THE MEDIUM

Body	PEEK
Seals	FKM - EPDM - FFKM

ELECTRICAL FEATURES

Voltage	24 V DC - 12 V DC - other voltages on request
Voltage tolerance	±10%
Power consumption	2 W
Duty cycle	ED 100%
Electrical connection	DIN 43650 connector, (C Form), pitch 9.4 and 8 mm - cable L = 300 mm
Protection class	IP65 with connector

Special versions available on request

CODING EXAMPLE

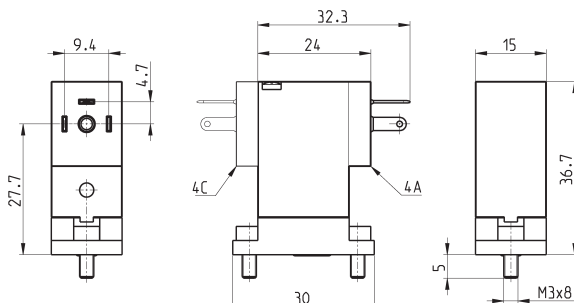
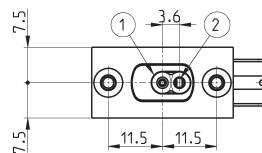
PDV	C0	1	22	-	B7	3	G	N	-	M	00	4A	C023
-----	----	---	----	---	----	---	---	---	---	---	----	----	------

PDV	SERIES
C0	BODY DESIGN: C0 = body with interface for subbase
1	NUMBER OF WAYS - FUNCTIONS: 1 = 2/2-way NC
22	PNEUMATIC CONNECTIONS: 22 = PDV-type interface, 2-way
B7	NOMINAL DIAMETER: A7 = \varnothing 0.8 mm B3 = \varnothing 1.2 mm B7 = \varnothing 1.6 mm C1 = \varnothing 2.0 mm
3	SEAL MATERIAL: 3 = FKM 4 = EPDM 5 = FFKM
G	BODY MATERIAL: G = PEEK
N	MANUAL OVERRIDE: N = not foreseen
M	FIXING ACCESSORIES: M = screws for metal
00	OPTIONS: 00 = none VC = for vacuum applications
4A	ELECTRICAL CONNECTION: 3A = DIN 43650 connector (C Form), pitch 8 mm 3C = DIN 43650 connector (C Form), pitch 8 mm with coil rotated 180° 4A = DIN 43650 connector (C Form), pitch 9.4 mm 4C = DIN 43650 connector (C Form), pitch 9.4 mm with coil rotated 180° 7A = cables (L = 300 mm) 7C = cables (L = 300 mm) with coil rotated 180°
C023	VOLTAGE - ABSORPTION: C017 = 6V DC 2W C020 = 12V DC 2W C023 = 24V DC 2W

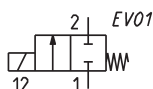
2/2 NC solenoid valve, DIN 43650 connector (C Form) pitch 9.4 mm


Supplied with:
 1x seal
 2x M3x8 UNI 5931 screws

NOTE IN THE TABLE BELOW:
 * to complete the code, add
ELECTRICAL CONNECTION
 (4A or 4C options)
 and **VOLTAGE**
 (see CODING EXAMPLE)



NOTE IN THE DRAWING:
 1 = INLET PORT
 2 = OUTLET PORT



Mod.	Nominal diameter Ø (mm)	Kv (l/min)	Min/max pressure (bar)	Max back pressure (bar)	Body material	Seal material
PDVC0122-A73GN-M00*	0.8	0.30	0 ÷ 10	1.6	PEEK	FKM
PDVC0122-A73GN-MVC*	0.8	0.30	-0.9 ÷ 0	-0.9	PEEK	FKM
PDVC0122-A74GN-M00*	0.8	0.30	0 ÷ 10	1.6	PEEK	EPDM
PDVC0122-A74GN-MVC*	0.8	0.30	-0.9 ÷ 0	-0.9	PEEK	EPDM
PDVC0122-A75GN-M00*	0.8	0.30	0 ÷ 6	0.5	PEEK	FFKM
PDVC0122-A75GN-MVC*	0.8	0.30	-0.9 ÷ 0	-0.9	PEEK	FFKM
PDVC0122-B33GN-M00*	1.2	0.48	0 ÷ 8	1.6	PEEK	FKM
PDVC0122-B33GN-MVC*	1.2	0.48	-0.9 ÷ 0	-0.9	PEEK	FKM
PDVC0122-B34GN-M00*	1.2	0.48	0 ÷ 8	1.6	PEEK	EPDM
PDVC0122-B34GN-MVC*	1.2	0.48	-0.9 ÷ 0	-0.9	PEEK	EPDM
PDVC0122-B35GN-M00*	1.2	0.48	0 ÷ 5	0.5	PEEK	FFKM
PDVC0122-B35GN-MVC*	1.2	0.48	-0.9 ÷ 0	-0.9	PEEK	FFKM
PDVC0122-B73GN-M00*	1.6	0.70	0 ÷ 4.5	1.6	PEEK	FKM
PDVC0122-B73GN-MVC*	1.6	0.70	-0.9 ÷ 0	-0.9	PEEK	FKM
PDVC0122-B74GN-M00*	1.6	0.70	0 ÷ 4.5	1.6	PEEK	EPDM
PDVC0122-B74GN-MVC*	1.6	0.70	-0.9 ÷ 0	-0.9	PEEK	EPDM
PDVC0122-B75GN-M00*	1.6	0.70	0 ÷ 3	0.5	PEEK	FFKM
PDVC0122-B75GN-MVC*	1.6	0.70	-0.9 ÷ 0	-0.9	PEEK	FFKM
PDVC0122-C13GN-M00*	2.0	0.90	0 ÷ 2.5	1.6	PEEK	FKM
PDVC0122-C13GN-MVC*	2.0	0.90	-0.9 ÷ 0	-0.9	PEEK	FKM
PDVC0122-C14GN-M00*	2.0	0.90	0 ÷ 2.5	1.6	PEEK	EPDM
PDVC0122-C14GN-MVC*	2.0	0.90	-0.9 ÷ 0	-0.9	PEEK	EPDM
PDVC0122-C15GN-M00*	2.0	0.90	0 ÷ 1.8	0.5	PEEK	FFKM
PDVC0122-C15GN-MVC*	2.0	0.90	-0.9 ÷ 0	-0.9	PEEK	FFKM

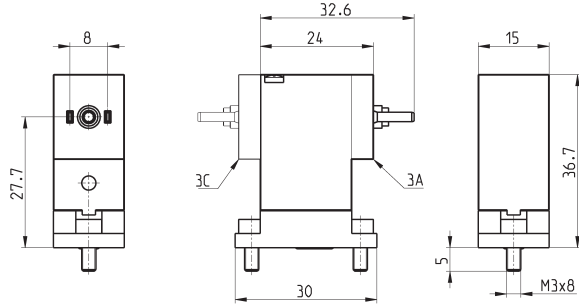
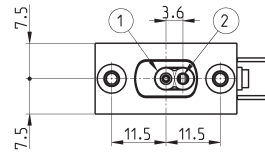
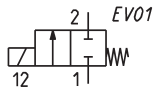
2/2 NC solenoid valve, DIN 43650 connector (C Form) pitch 8 mm

Supplied with:
1x seal
2x M3x8 UNI 5931 screws

NOTE IN THE TABLE BELOW:
* to complete the code, add
ELECTRICAL CONNECTION
(3A or 3C options)
and VOLTAGE
(see CODING EXAMPLE)



NOTE IN THE DRAWING:
1 = INLET PORT
2 = OUTLET PORT



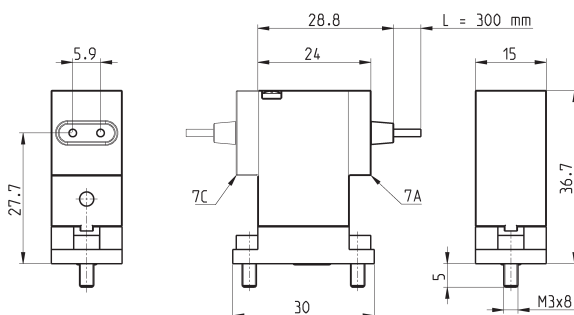
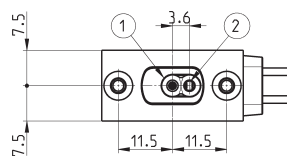
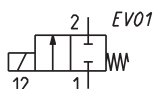
Mod.	Nominal diameter Ø (mm)	Kv (l/min)	Min/max pressure (bar)	Max back pressure (bar)	Body material	Seal material
PDVC0122-A73GN-M00*	0.8	0.30	0 + 10	1.6	PEEK	FKM
PDVC0122-A73GN-MVC*	0.8	0.30	-0.9 + 0	-0.9	PEEK	FKM
PDVC0122-A74GN-M00*	0.8	0.30	0 + 10	1.6	PEEK	EPDM
PDVC0122-A74GN-MVC*	0.8	0.30	-0.9 + 0	-0.9	PEEK	EPDM
PDVC0122-A75GN-M00*	0.8	0.30	0 + 6	0.5	PEEK	FFKM
PDVC0122-A75GN-MVC*	0.8	0.30	-0.9 + 0	-0.9	PEEK	FFKM
PDVC0122-B33GN-M00*	1.2	0.48	0 + 8	1.6	PEEK	FKM
PDVC0122-B33GN-MVC*	1.2	0.48	-0.9 + 0	-0.9	PEEK	FKM
PDVC0122-B34GN-M00*	1.2	0.48	0 + 8	1.6	PEEK	EPDM
PDVC0122-B34GN-MVC*	1.2	0.48	-0.9 + 0	-0.9	PEEK	EPDM
PDVC0122-B35GN-M00*	1.2	0.48	0 + 5	0.5	PEEK	FFKM
PDVC0122-B35GN-MVC*	1.2	0.48	-0.9 + 0	-0.9	PEEK	FFKM
PDVC0122-B73GN-M00*	1.6	0.70	0 + 4.5	1.6	PEEK	FKM
PDVC0122-B73GN-MVC*	1.6	0.70	-0.9 + 0	-0.9	PEEK	FKM
PDVC0122-B74GN-M00*	1.6	0.70	0 + 4.5	1.6	PEEK	EPDM
PDVC0122-B74GN-MVC*	1.6	0.70	-0.9 + 0	-0.9	PEEK	EPDM
PDVC0122-B75GN-M00*	1.6	0.70	0 + 3	0.5	PEEK	FFKM
PDVC0122-B75GN-MVC*	1.6	0.70	-0.9 + 0	-0.9	PEEK	FFKM
PDVC0122-C13GN-M00*	2.0	0.90	0 + 2.5	1.6	PEEK	FKM
PDVC0122-C13GN-MVC*	2.0	0.90	-0.9 + 0	-0.9	PEEK	FKM
PDVC0122-C14GN-M00*	2.0	0.90	0 + 2.5	1.6	PEEK	EPDM
PDVC0122-C14GN-MVC*	2.0	0.90	-0.9 + 0	-0.9	PEEK	EPDM
PDVC0122-C15GN-M00*	2.0	0.90	0 + 1.8	0.5	PEEK	FFKM
PDVC0122-C15GN-MVC*	2.0	0.90	-0.9 + 0	-0.9	PEEK	FFKM

2/2 NC solenoid valve, electrical connection with 300mm cable


Supplied with:
 1x seal
 2x M3x8 UNI 5931 screws

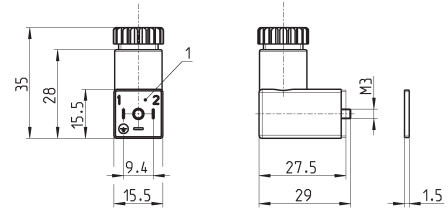
NOTE IN THE TABLE BELOW:
 * to complete the code, add
ELECTRICAL CONNECTION
 (7A or 7C options)
 and **VOLTAGE**
 (see CODING EXAMPLE)

NOTE IN THE DRAWING:
 1 = INLET PORT
 2 = OUTLET PORT



Mod.	Nominal diameter Ø (mm)	Kv (l/min)	Min/max pressure (bar)	Max back pressure (bar)	Body material	Seal material
PDVC0122-A73GN-M00*	0.8	0.30	0 ÷ 10	1.6	PEEK	FKM
PDVC0122-A73GN-MVC*	0.8	0.30	-0.9 ÷ 0	-0.9	PEEK	FKM
PDVC0122-A74GN-M00*	0.8	0.30	0 ÷ 10	1.6	PEEK	EPDM
PDVC0122-A74GN-MVC*	0.8	0.30	-0.9 ÷ 0	-0.9	PEEK	EPDM
PDVC0122-A75GN-M00*	0.8	0.30	0 ÷ 6	0.5	PEEK	FFKM
PDVC0122-A75GN-MVC*	0.8	0.30	-0.9 ÷ 0	-0.9	PEEK	FFKM
PDVC0122-B33GN-M00*	1.2	0.48	0 ÷ 8	1.6	PEEK	FKM
PDVC0122-B33GN-MVC*	1.2	0.48	-0.9 ÷ 0	-0.9	PEEK	FKM
PDVC0122-B34GN-M00*	1.2	0.48	0 ÷ 8	1.6	PEEK	EPDM
PDVC0122-B34GN-MVC*	1.2	0.48	-0.9 ÷ 0	-0.9	PEEK	EPDM
PDVC0122-B35GN-M00*	1.2	0.48	0 ÷ 5	0.5	PEEK	FFKM
PDVC0122-B35GN-MVC*	1.2	0.48	-0.9 ÷ 0	-0.9	PEEK	FFKM
PDVC0122-B73GN-M00*	1.6	0.70	0 ÷ 4.5	1.6	PEEK	FKM
PDVC0122-B73GN-MVC*	1.6	0.70	-0.9 ÷ 0	-0.9	PEEK	FKM
PDVC0122-B74GN-M00*	1.6	0.70	0 ÷ 4.5	1.6	PEEK	EPDM
PDVC0122-B74GN-MVC*	1.6	0.70	-0.9 ÷ 0	-0.9	PEEK	EPDM
PDVC0122-B75GN-M00*	1.6	0.70	0 ÷ 3	0.5	PEEK	FFKM
PDVC0122-B75GN-MVC*	1.6	0.70	-0.9 ÷ 0	-0.9	PEEK	FFKM
PDVC0122-C13GN-M00*	2.0	0.90	0 ÷ 2.5	1.6	PEEK	FKM
PDVC0122-C13GN-MVC*	2.0	0.90	-0.9 ÷ 0	-0.9	PEEK	FKM
PDVC0122-C14GN-M00*	2.0	0.90	0 ÷ 2.5	1.6	PEEK	EPDM
PDVC0122-C14GN-MVC*	2.0	0.90	-0.9 ÷ 0	-0.9	PEEK	EPDM
PDVC0122-C15GN-M00*	2.0	0.90	0 ÷ 1.8	0.5	PEEK	FFKM
PDVC0122-C15GN-MVC*	2.0	0.90	-0.9 ÷ 0	-0.9	PEEK	FFKM

Connector Mod. 125-... DIN 43650 pitch 9.4 mm

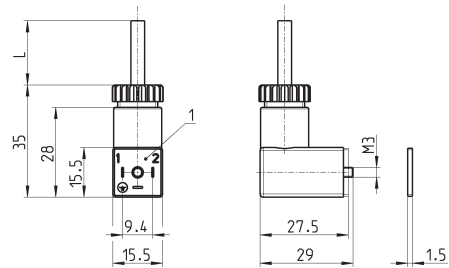


Mod.	description	colour	working voltage	cable holding	tightening torque
125-601	connector, diode + Led	transparent	10/50 V DC	PG7	0.3 Nm
125-701	connector, varistor + Led	transparent	24 V AC/DC	PG7	0.3 Nm
125-800	connector, without electronics	black	-	PG7	0.3 Nm

1 = 90° adjustable connector

Connector Mod. 125-... DIN 43650 pitch 9.4 mm with cable

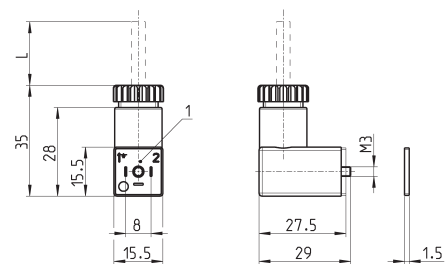
The internal rectifier circuit of the connector Mod. 125-900 allows to use solenoid valves with different AC voltage, even if the voltage indicated on the solenoid valve is DC.



Mod.	description	colour	working voltage	cable length [L]	cable holding	tightening torque
125-501-2	moulded cable with diode + Led	black	10/50 V DC	2000 mm	-	0.3 Nm
125-550-1	moulded cable, without electronics	black	-	1000 mm	-	0.3 Nm
125-601-2	pre-wired cable, diode + Led	transparent	10/50 V DC	2000 mm	PG7	0.3 Nm
125-571-3	moulded cable, varistor + Led	black	24 V AC/DC	3000 mm	-	0.3 Nm
125-900	pre-wired cable with voltage rectifier	black	6 V - 110 V AC/DC	2000 mm	PG7	0.3 Nm

1 = 90° adjustable connector

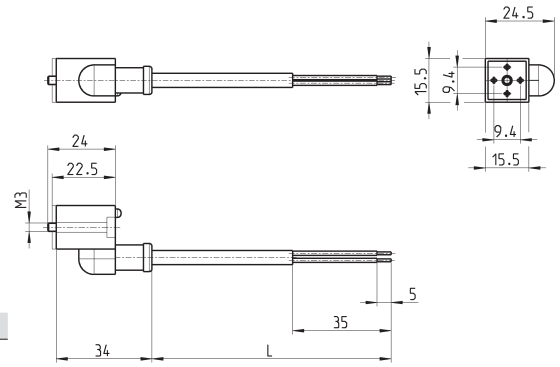
Connector Mod. 126-... DIN 43650 pitch 8 mm



Mod.	description	colour	working voltage	cable length [L]	cable holding	tightening torque
126-550-1	moulded cable, without electronics	black	-	1000 mm	-	0.3 Nm
126-800	connector, without electronics	black	-	-	PG7	0.3 Nm
126-701	connector, varistor + Led	transparent	24 V AC/DC	-	PG7	0.3 Nm

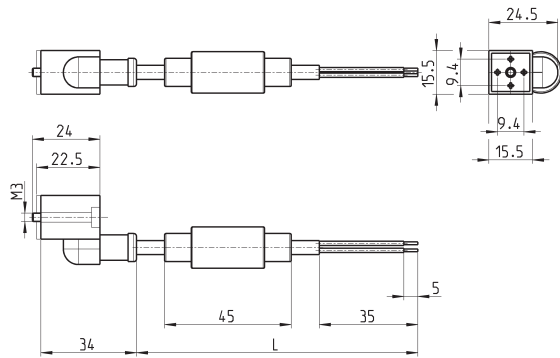
1 = 90° adjustable connector

In-line connectors with cable



Mod.	description	colour	working voltage	cable length [L]	cable holding	tightening torque
125-503-2	in-line moulded cable, with diode + Led	black	24 V DC	2000 mm	-	0.3 Nm
125-503-5	in-line moulded cable, with diode + Led	black	24 V DC	5000 mm	-	0.3 Nm
125-553-2	in-line moulded cable, without electronics	black	-	2000 mm	-	0.3 Nm
125-553-5	in-line moulded cable, without electronics	black	-	5000 mm	-	0.3 Nm

In-line connectors with bridge rectifier



Mod.	description	colour	working voltage	cable length [L]	cable holding	tightening torque
125-903-2	in-line moulded cable with voltage rectifier	black	6 V - 230 V AC/DC	2000 mm	-	0.3 Nm
125-903-5	in-line moulded cable with voltage rectifier	black	6 V - 230 V AC/DC	5000 mm	-	0.3 Nm